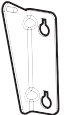




INCLUDED IN HINGE KIT:

A  Hinge Cover Bracket (LS)
(Left Sided) **X1**

B   Hinge Cover Bracket (RS)
(Right Sided) **X1**

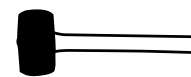
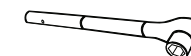
PLEASE NOTE: The notch cut-out at bottom of bracket indicates it is the right sided bracket

C  Hinge Cover (4 Ft & 8 Ft Available) **X1**

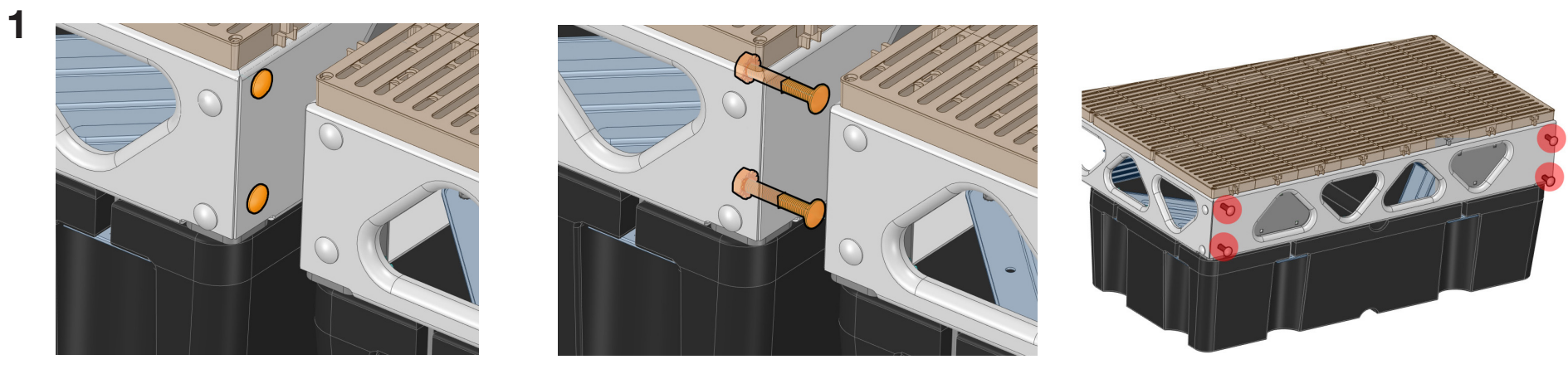
TOOLS NEEDED:

 9/16" Box Wrench

or
9/16" Socket/Ratchet

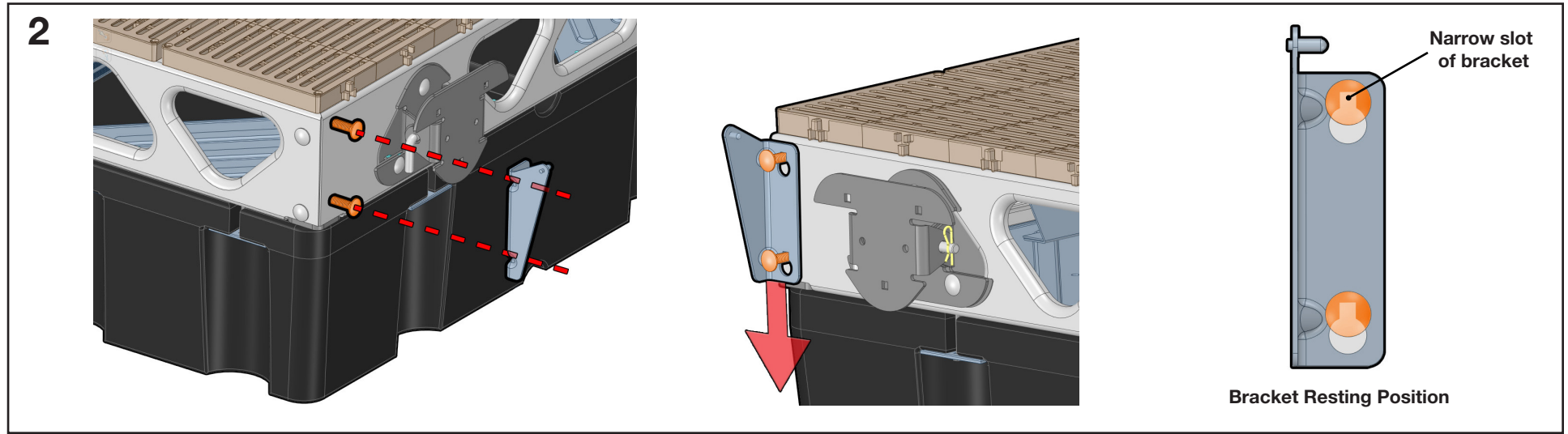


Small Mallet or Hammer

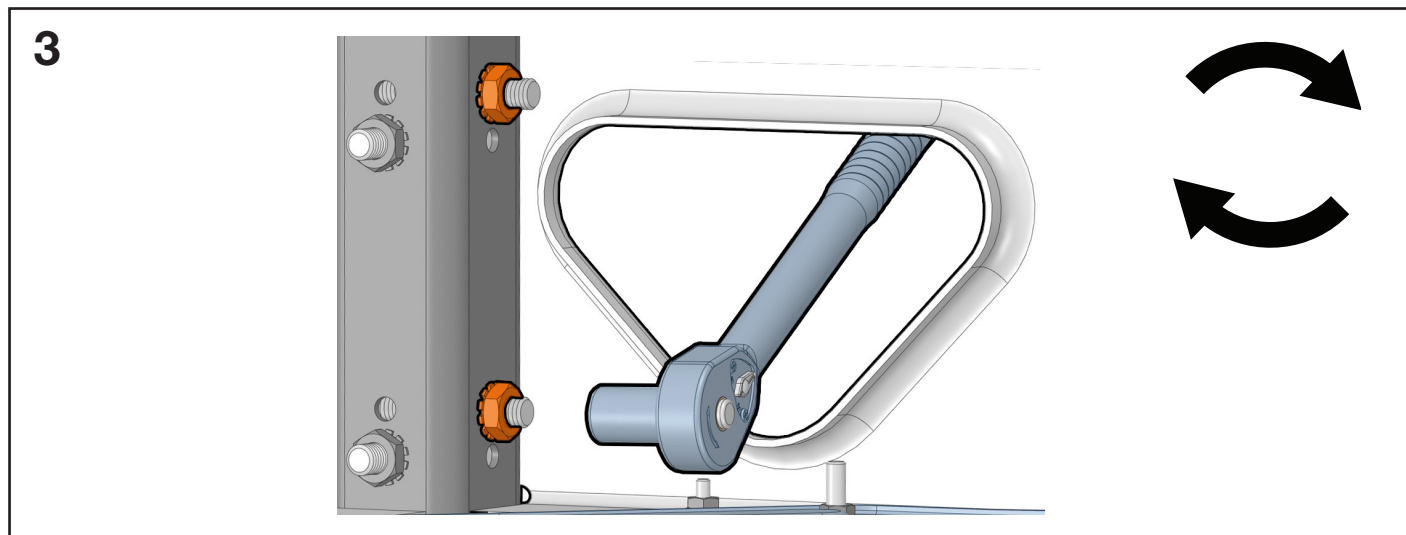


Using a 3/8" socket/ratchet or box wrench, loosen carriage bolts on both ends of the dock that you will be attaching the Hinge Cover to. (See image above for carriage bolt locations). It may be helpful to use a small mallet/hammer to push the bolts forward after loosening the bolts.

PLEASE NOTE: Some components have been removed from the following images to better illustrate assembly.

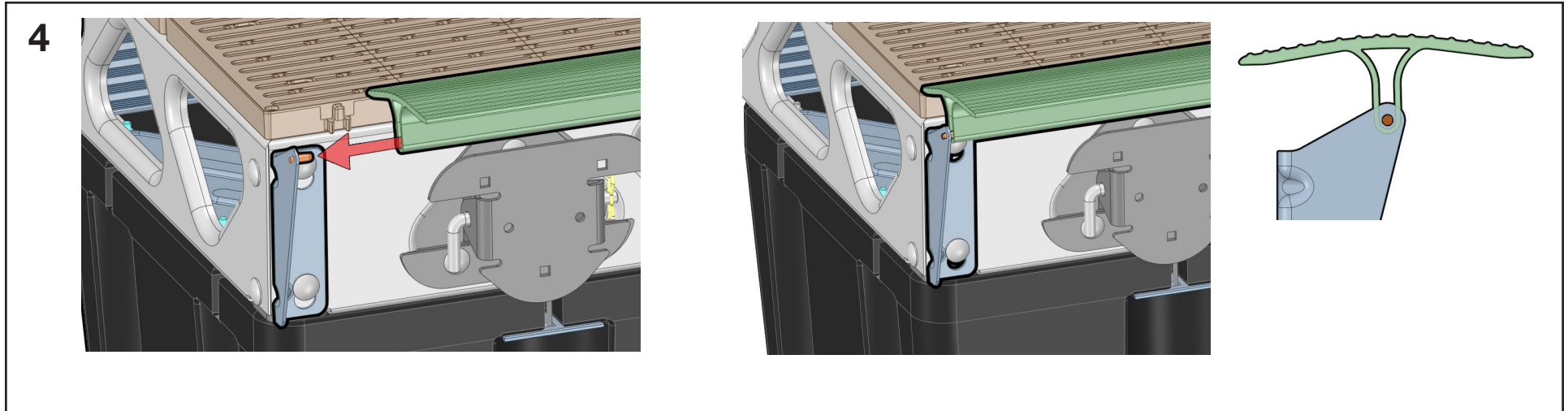


Attach the Hinge Cover Bracket(LS) to the loosened carriage bolts at the end of the dock. Slide the Hinge Cover Bracket(LS) down on the carriage bolts until they are seated in the narrow slots of the bracket.

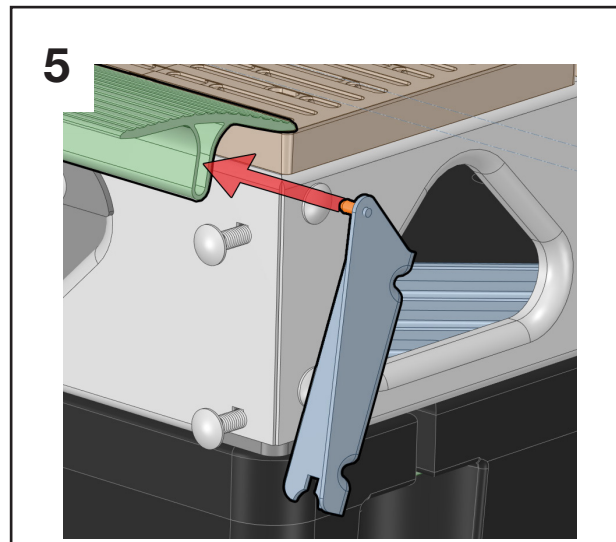


Retighten the carriage bolts on the bracket that was just installed.

PLEASE NOTE: Some components have been removed from the image to better illustrate assembly.

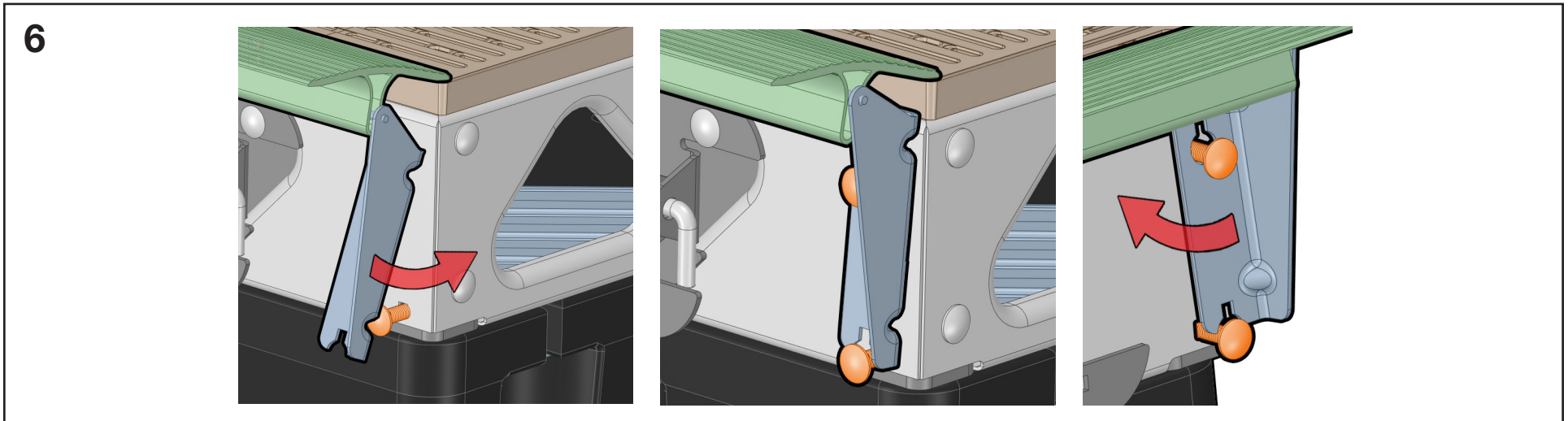


Position and slide the Hinge Cover onto the pin located at the top of the Hinge Cover Bracket(LS).

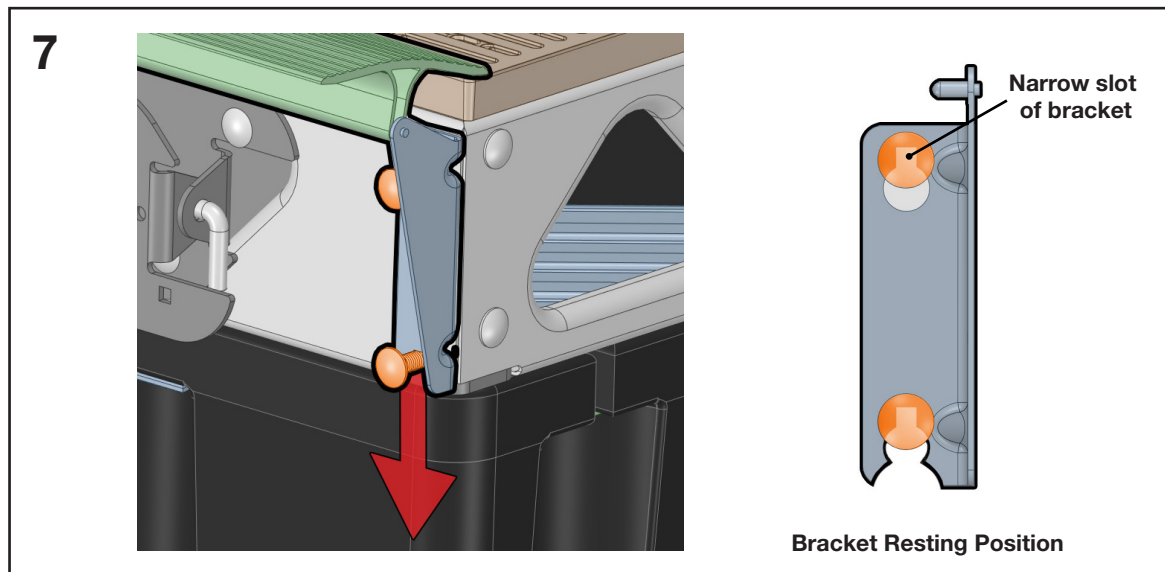


Slide the pin of the Hinge Cover Bracket(RS) into the Hinge Cover.

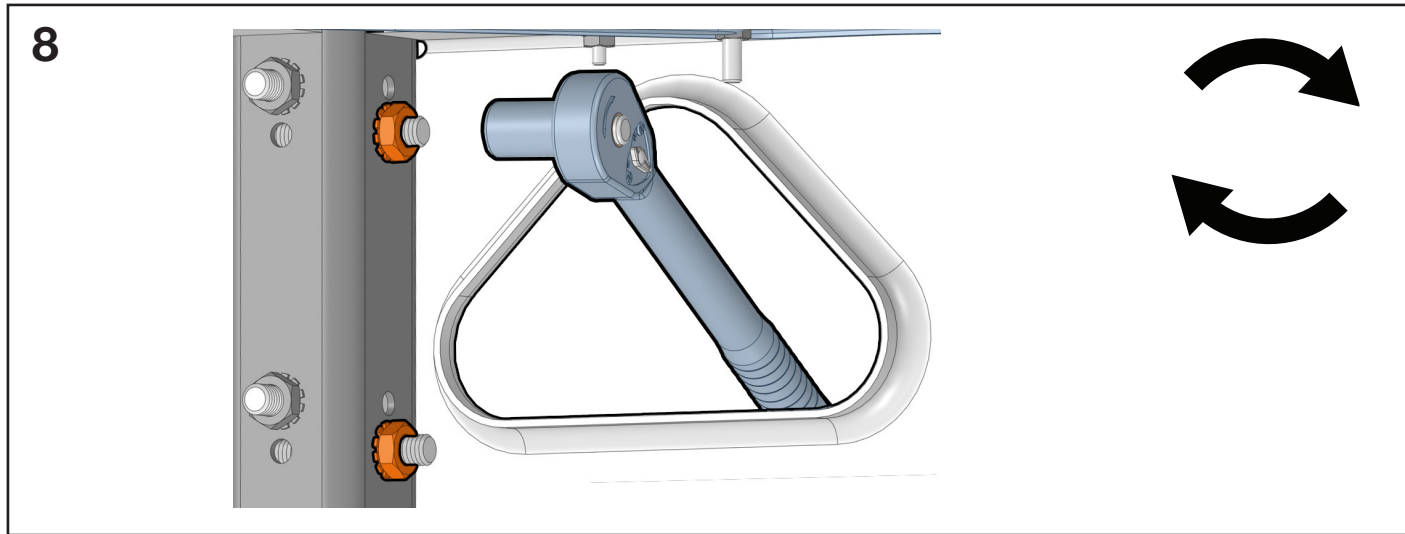
PLEASE NOTE: Some elements have been removed from the image to better illustrate assembly.



Press the Hinge Cover Bracket(RS) downwards until the carriage bolts are seated in the narrow slots of the Cover Bracket.



Press the Hinge Cover Bracket(RS) downwards until the Carriage Bolts are seated in the narrow slots of the Hinge Cover Bracket.



Retighten the carriage bolts on the Cover Hinge Bracket(RS) bracket.

