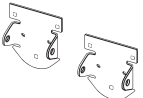
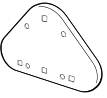
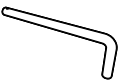

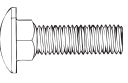



INCLUDED IN KIT:

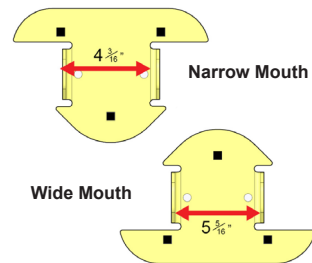
- | | | | | |
|----------|---|----------|---|------------|
| A |  | B |  | X4 |
| | Hinge X2 Pairs | | Triangle Plate | |
| C |  | D |  | X2 |
| | Hinge Pin X2 | | Hairpin Cotter Pin | |
| E |  | F |  | X12 |
| | Carriage Bolt 3/8"x 1 1/2" X12 | | 3/8" K-Lock Nuts | |

TOOLS REQUIRED:

9/16 SOCKET WITH RATCHET TO SUIT

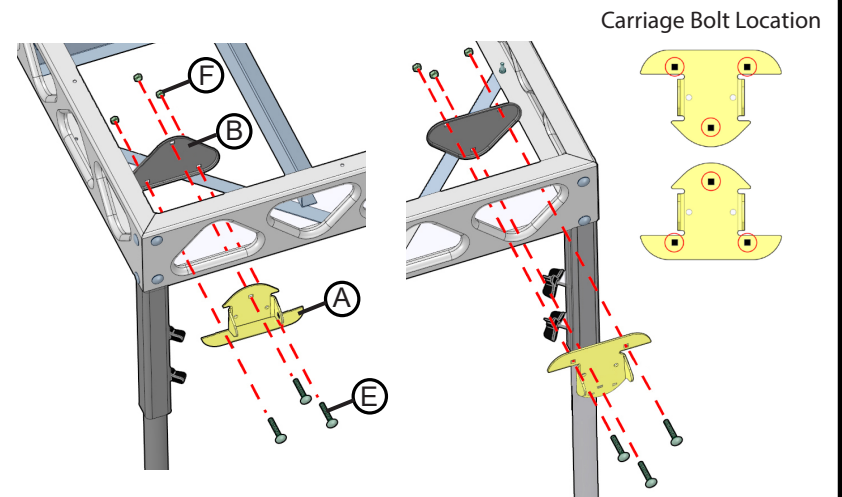


1



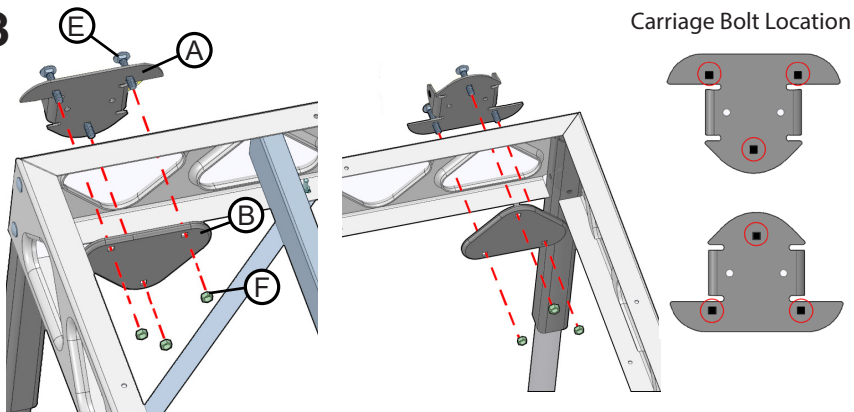
Each pair of hinges will be identified by a narrow and wide mouth (See above image). The narrow mouth will fit into the wide bracket of each pair.

2



On the dock connect the Hinge (A) to the Triangle Plate (B) using Carriage Bolts (E) and K-Lock Nuts (F) as shown. Using a hinge from the second pair follow this step for the opposite side of the dock. **PLEASE NOTE: The decking has been removed from images shown to better illustrate installation.**

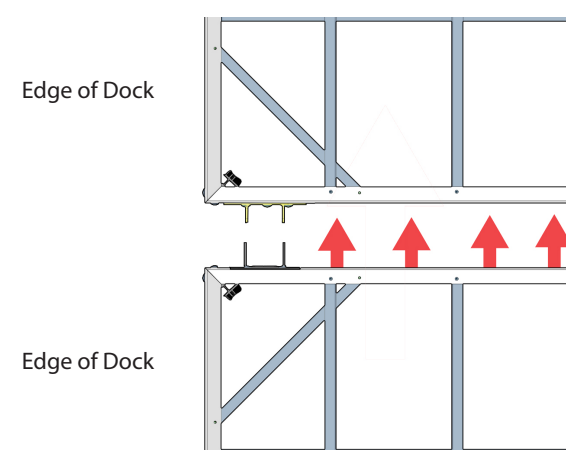
3



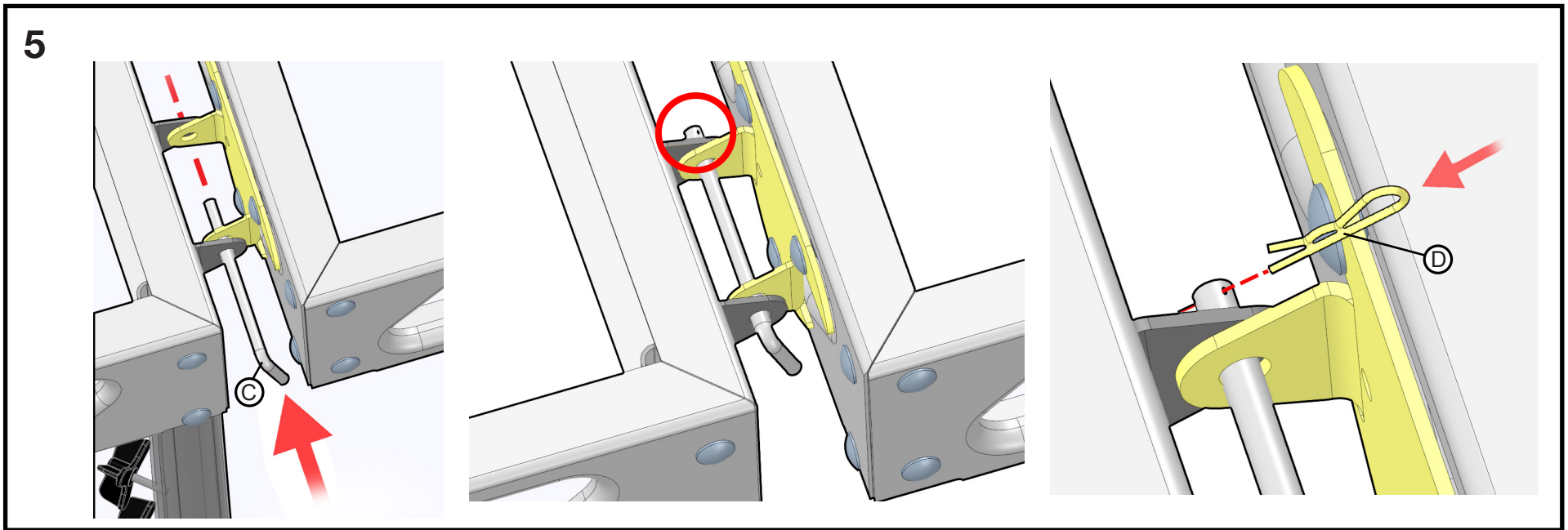
On the opposite dock connect the Hinge (A) to the Triangle Plate (B) using Carriage Bolts (E) and HexNuts(F) as shown. Follow the same procedure for the second Hinge (A) on the other side of the dock.

PLEASE NOTE: The decking has been removed from the image above to better illustrate installation.

4



Once Hinges (A) on both docks are assembled pull both docks close to each other. Place the docks so the edges of both docks are aligned with one another. Aligning the hinges on either side of the docks so they fit into each other. Ensure that the holes between both hinges line up with one another. Do the same for the hinges on the opposite side of both docks.



Connect the docks by sliding a Hinge Pin (C) into the hole between the hinges (See above). Slide the Hinge Pin (C) into place. Insert the Cotter Pin (D) into the hole at the end of the Hinge Pin (C). Do the same for both hinge assemblies on the opposite side of both docks.

PLEASE NOTE: It may be helpful to use locking pliers to insert the Cotter Pin into the Hinge Pin.

When separating dock sections follow the above directions in reverse removing the Cotter Pin (D) and then removing the Hinge Pin from between the hinges.