




# QUICK LINK INSTALLATION

## INCLUDED IN KIT:

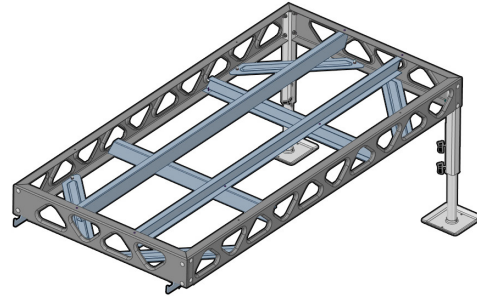
- (A) L-Bracket  X2
- (B) Joining Bracket  X2
- (C) 3/8" K-Locknuts  X4
- (D) Hitch Pin  X2

## Tools Required



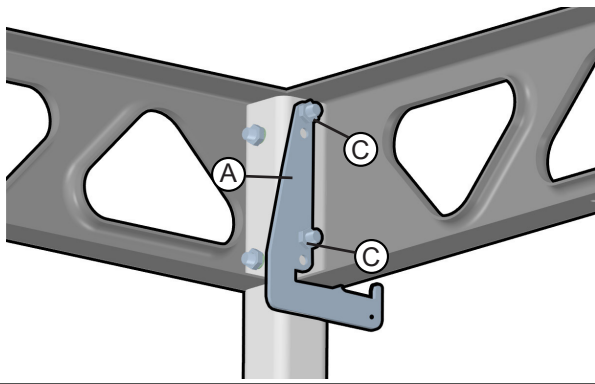
- 9/16" socket with ratchet to suit

1



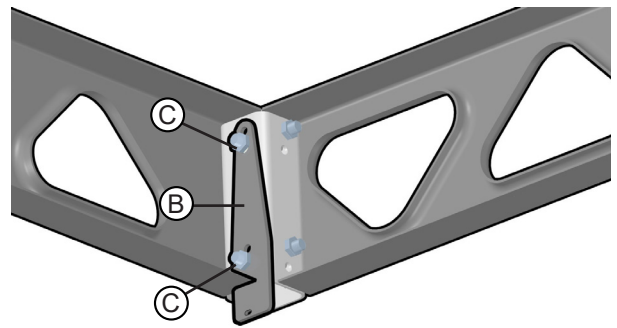
Assemble **CanadaDocks™** frame according to instructions. **Do not install decking at this time.**

2



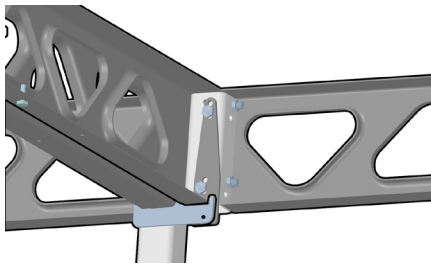
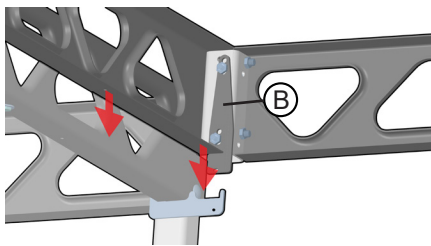
Position the "L" shaped bracket (A) onto the standing dock on top of current 3/8" k-locknuts. Fasten the L-Bracket with 3/8" K-Locknuts (C).

3



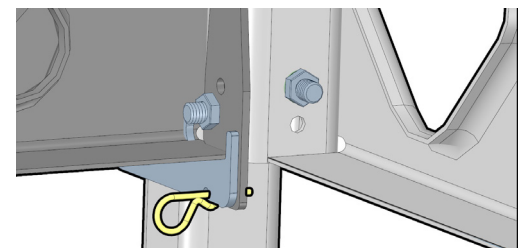
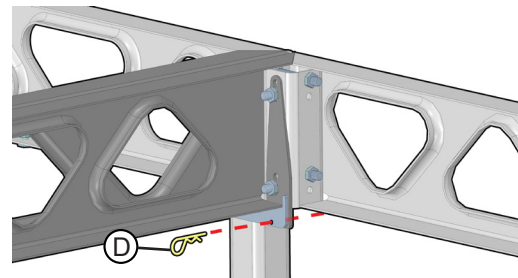
Remove the existing 3/8" Kep Nuts and fasten the joining bracket (B) to the quick link dock.

4



Install decking. Lower the quick link dock (with two legs) onto the "L" shaped bracket (A) of the existing dock.

5



Align holes of both brackets and insert hitch pins (D).